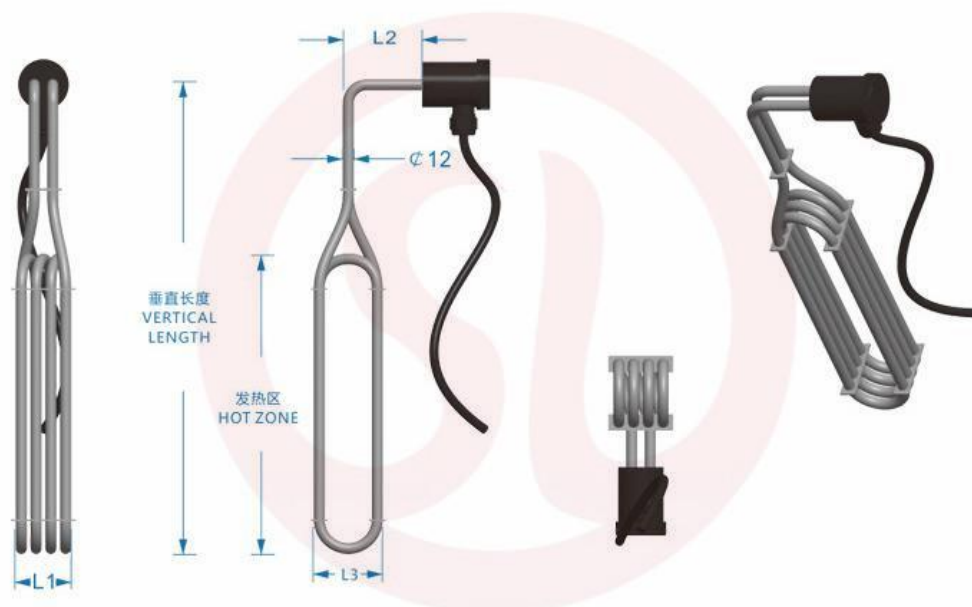


industrial teflon immersion heater

Teflon heater:

The commonly used Teflon heaters is a new type of corrosion-resistant electric heater made of PTFE sleeve for heating various corrosive liquids. It has excellent anti-aging properties and good flexural properties, and is designed with low surface load. The Teflon heating tube can be divided into two types, one is to directly spray the surface of the heating tube with the fluoroplastic material, and the other is to form the fluoroplastic sleeve on the outer layer of the iron heating tube and the copper heating tube. Teflon heaters are electroplating, electrolysis, degreasing, pickling, electroless nickel plating, hydrofluoric acid, anodizing, aluminum pouring, smelting, chemical, pharmaceutical, food and other corrosive liquid heating, condensation, evaporation, Good heater selection for concentration, etc.!



回圈型铁氟龙液体电加热器

Teflon Heater technical parameters:

Electric heating pipe diameter: $\Phi 10$ - $\Phi 50$.

Electric heating tube outer layer material: PTFE, PFA, SS304, SS316L, titanium.

Input power and power: customized on demand. Power error (cold): +5%-10%.

Power error (cold): +5%-10%

Insulation resistance DC1000V (unheated): $\geq 1000\text{M}\Omega$.

Leakage current: $\leq 0.5\text{mA}$.

Electric heater size and shape: Customized on demand.

Anti-corrosion Teflon heating tube instructions:

1. It has strong chemical resistance and can be applied to highly destructive liquid heating.
2. The heat pipe in the Teflon electric heater is made of SUS316 and jacket PFA.
3. Counter Teflon electric heater can be fitted with PT-100, temperature fuse and temperature switch.
4. It is not easy to heat in the faint liquid, and the poor heat dissipation will affect the service life of the heater.
5. Do not allow bruises and scratches on the surface of the Teflon tube during use.



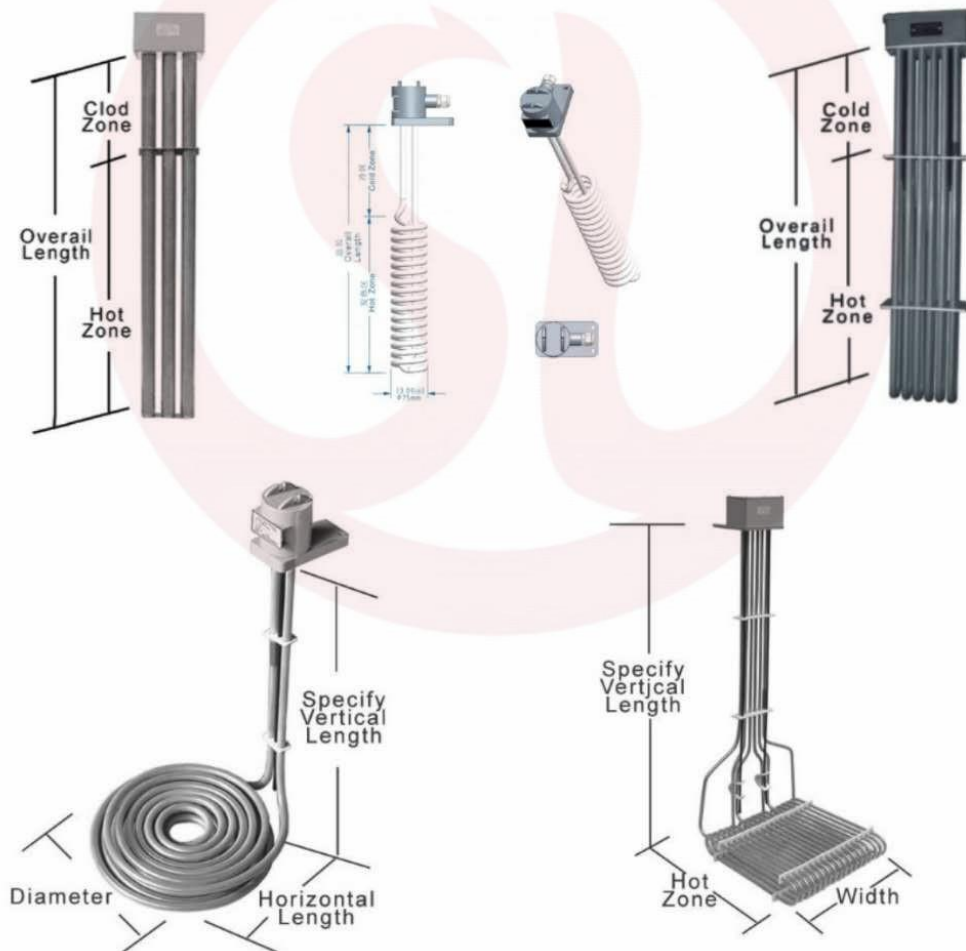
Teflon Heater features

- 1). Use high-quality stainless steel electric heating tube core, jacket Teflon tube (PTFE), strong corrosion resistance, suitable for heating various corrosive liquids.
- 2). Low surface power design (1.5W/CM²) to ensure the service life of the product.
- 3). The installation position of the electric heater should be careful to prevent solids from depositing on the surface of the electric heater, or the liquid is not thick, and the liquid level is too low, the Teflon tube (PTFE) will be burnt due to poor surface heat dissipation.
- 4). The volume size of the electric heater cannot be changed to a small surface area, otherwise the surface power of the electric heater will be too large, which will affect the service life of the electric heater.
- 5). All heaters can be equipped with overheat protector or PT100 temperature probe to

ensure product life and equipment safety.

6). Because the Teflon (PTFE) tube is too resistant to strong corrosion, it is widely used for the oxidation of triacids, electroless gold plating, electroless nickel plating and heating of various highly demanding chemical liquids.

7) . Can design a variety of structural forms, such as spiral, L-shaped, U-shaped, W-shaped, mosquito-repellent, combined, etc.





Shenglong Electric Heating Technology Co.,Ltd



+86-755-27753251



sales@heatersmfg.com



+86-13430527808



+86-13430527808



+86-13430527808

Website:www.heatersmfg.com

